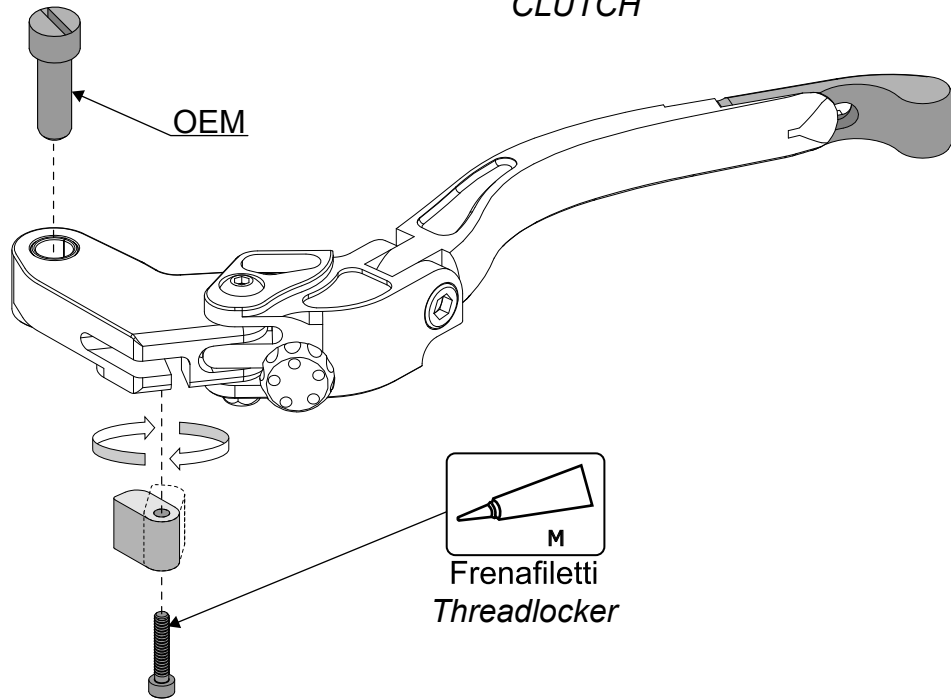


Performance Techology consiglia di far effettuare il montaggio da un meccanico specializzato
Performance Techology recommends to have the installation done by a specialized mechanic

MADE IN ITALY

FRIZIONE CLUTCH



FRENO BRAKE

